

Монтировать проводом МГШВ-0.5 кв.мм за исключением проводов, указанных особо.
Вид с лицевой стороны

Статив двухсторонний СУР2-2 чертеж №557-00-00

Ось поворота рамок слева

Занятые клеммы по типам:

- на 8 зажимов: Ш812
- ПП-20 на 20 лепестков: Ш813
- клеммные панели К15, К16, К17, К18, К21 типа DFLK-D50 SUB/B
- клеммные панели К11, К12, К13, К14 типа FRONT-SFL 2.5/F48/PHX

| | | | |
|---|--------|------|--------|
| | | | |
| | | | |
| | Стадия | Лист | Листов |
| | Р | 1 | 6 |
| Комплектация и монтажные схемы статива №31 | | | |

| 6 | | | 5 | | | 4 | | | 3 | | | 2 | | | 1 | | | |
|-------------|------------|--|-------------|--------------------|----|-------------|--|--|-------------|--|--|-------------|------------------|------|-------------|-----------------|----------|-----------------|
| №№ КОНТ. | ВА | | №№ КОНТ. | БПРТ | | №№ КОНТ. | | | №№ КОНТ. | | | №№ КОНТ. | | | №№ КОНТ. | 1ПИ | | |
| I1 | 30-42-10-2 | | I1 | 31-K77 | | | | | | | | | | | | XS2 | XS1 | |
| I4 | 30-42-14-2 | | I4 | 30-526-82 1-3\2 | OX | | | | | | | 2/1 | ЛПД-K2-10 | 1/1 | 30-521-1 | √ ^{**} | | |
| II2 | 30-42-25-1 | | II1 | 31-K79 | | | | | | | | 2/2 | ЛПД-K2-9 | 1/20 | 30-521-2 | √ ^{**} | | |
| II3 | III3 | | II2 | 31-K81 | | | | | | | | 2/3 | 8 | 1/2 | 30-521-3 | √ ^{**} | | |
| III2 | 30-42-21-1 | | | | | | | | | | | 2/5 | ЛПД-K2-10а | 1/21 | 30-521-4 | √ ^{**} | | |
| III3 | II3 | | | | | | | | | | | 2/6 | 7 | 1/3 | 30-522-1 | √ ^{**} | | |
| | | | | | | | | | | | | 2/7 | 6 | 1/22 | 30-522-2 | √ ^{**} | | |
| | | | | | | | | | | | | 2/8 | 3 | 1/4 | 30-522-3 | √ ^{**} | | |
| | | | | | | | | | | | | | | 1/23 | 30-522-4 | √ ^{**} | | |
| | | | | | | | | | | | | | | | XS3 | 1/5 | 30-523-1 | √ ^{**} |
| | | | | | | | | | | | | 3/1 | 30-42-4-2 | 1/24 | 30-523-2 | √ ^{**} | | |
| | | | | | | | | | | | | 3/2 | 5-I4 OX | 1/6 | 30-523-3 | √ ^{**} | | |
| | | | | | | | | | | | | 3 | Земля В2-K150 | 1/25 | 30-523-4 | √ ^{**} | | |
| | | | | | | | | | | | | | | | | 1/7 | 30-524-1 | √ ^{**} |
| | | | | | | | | | | | | | | | | 1/26 | 30-524-2 | √ ^{**} |
| | | | | | | | | | | | | | | | | 1/8 | 30-524-3 | √ ^{**} |
| | | | | | | | | | | | | | | | | 1/27 | 30-524-4 | √ ^{**} |
| | | | | | | | | | | | | | | | | 1/9 | 30-525-1 | √ ^{**} |
| | | | | | | | | | | | | | | | | 1/28 | 30-525-2 | √ ^{**} |
| | | | | | | | | | | | | | | | | 1/10 | 30-525-3 | √ ^{**} |
| | | | | | | | | | | | | | | | | 1/29 | 30-525-4 | √ ^{**} |
| | | | | | | | | | | | | | | | | 1/11 | 30-526-1 | √ ^{**} |
| | | | | | | | | | | | | | | | | 1/30 | 30-526-2 | √ ^{**} |
| | | | | | | | | | | | | | | | | 1/12 | 30-526-3 | √ ^{**} |
| | | | | | | | | | | | | | | | | 1/31 | 30-526-4 | √ ^{**} |
| | | | | | | | | | | | | | | | | 1/13 | | |
| | | | | | | | | | | | | | | | | 1/32 | | |
| | | | | | | | | | | | | | | | | 1/14 | | |
| | | | | | | | | | | | | | | | | 1/33 | | |
| | | | | | | | | | | | | | | | | 1/15 | | |
| | | | | | | | | | | | | | | | | 1/34 | | |
| | | | | | | | | | | | | | | | | 1/16 | | |
| | | | | | | | | | | | | | | | | 1/35 | | |

√^{**} - Кабель ГВПН/Э-5 - 2x2x0.51

√ - Кабель КМС2 - 1x2x0.45

Полка №21

Статив №31

Лист

2

| | | | | | | | | | | | |
|-----------|-----|------------|------------|-----|------------|-----|------------|-----------|-----------|------------|-------------------|
| 30-526-31 | 82 | 20-41-K82 | 30-526-31 | 82 | 215-II2 | 82 | 32-41-K81 | 30-42-4-1 | 2 | 21-51-K24 | 2xВВГнгLS - 2x2,5 |
| 30-626-81 | 84 | 20-41-K84 | 30-626-41 | 83 | 30-526-41 | 83 | 32-41-K83 | 4 | 33-51-K26 | ПХ | 2xВВГнгLS - 2x6 |
| 30-621-51 | 86 | 20-41-K86 | 30-525-41 | 85 | 30-525-41 | 85 | 32-41-K85 | 6 | | | СПБ |
| 30-833-43 | 88 | 20-41-K88 | 30-524-41 | 87 | 30-524-41 | 87 | 32-41-K87 | 8 | 21-51-K30 | OX | *30-22Ш-I |
| 30-623-42 | 90 | 20-41-K90 | 41K14-z22 | 89 | 32-41-K89 | 89 | 32-41-K89 | 10 | 33-51-K32 | | *30-83Ш-I |
| 30-833-63 | 92 | 20-41-K92 | K17-17 | 91 | 32-41-K91 | 91 | 32-41-K91 | 12 | 33-51-K2 | C | СМБ |
| 30-623-62 | 94 | 20-41-K94 | K17-16 | 93 | 32-41-K93 | 93 | 32-41-K93 | 14 | | | *30-73Ш-I |
| 30-833-33 | 96 | 20-41-K96 | K17-13 | 95 | 32-41-K95 | 95 | 32-41-K95 | 16 | *Ш812-4 | MC | *30-52Ш-I |
| 30-623-32 | 98 | 20-41-K98 | K17-12 | 97 | 32-41-K97 | 97 | 32-41-K97 | 18 | 30-315-42 | 21-51-K34 | 30/31СПБ |
| 30-833-53 | 100 | 20-41-K100 | 30-635-2 | 99 | 32-41-K99 | 99 | 32-41-K99 | 20 | 33-51-K38 | CM | 30-214-51 |
| 30-623-52 | 102 | 20-41-K102 | 30-636-2 | 101 | 32-41-K101 | 101 | 32-41-K101 | 22 | | | СМБП |
| 30-321-52 | 104 | 20-41-K104 | 30-636-21 | 103 | 32-41-K103 | 103 | 32-41-K103 | 24 | | | 30-42-1-3 |
| 30-616-61 | 106 | 20-41-K106 | 30-622-62 | 105 | 32-41-K105 | 105 | 32-41-K105 | 26 | | | 30-42-1-2 |
| 30-624-22 | 108 | 20-41-K108 | 30-636-11 | 107 | 32-41-K107 | 107 | 32-41-K107 | 28 | | | 30-42КП-2 |
| 30-835-33 | 110 | 22-41-K110 | 30-635-21 | 109 | 32-41-K109 | 109 | 32-41-K109 | 30 | | | 30-42-3-2 |
| 30-835-31 | 112 | 22-41-K112 | 30-621-62 | 111 | 32-41-K111 | 111 | 32-41-K111 | 32 | | | 30-212-41 |
| 41-K13-B4 | 114 | 22-41-K114 | 30-635-11 | 113 | 32-41-K113 | 113 | 32-41-K113 | 34 | | | ПБРОК |
| 30-834-33 | 116 | 22-41-K116 | 30-825-62 | 115 | 32-41-K115 | 115 | 32-41-K115 | 36 | | | КМБ |
| 30-834-31 | 118 | 22-41-K118 | 30-824-62 | 117 | 32-41-K117 | 117 | 32-41-K117 | 38 | | | |
| 30-625-22 | 120 | 22-41-K120 | 30-315-31 | 119 | 32-41-K119 | 119 | 32-41-K119 | 40 | | | |
| 30-315-52 | 122 | 22-41-K122 | 41-K13-B24 | 121 | 32-41-K121 | 121 | 32-41-K121 | 42 | | | |
| 30-615-61 | 124 | 22-41-K124 | 41-K13-B22 | 123 | 32-41-K123 | 123 | 32-41-K123 | 44 | | | |
| 30-622-51 | 126 | 22-41-K126 | 41-K14-B24 | 125 | 32-41-K125 | 125 | 32-41-K125 | 46 | | | |
| 30-626-11 | 128 | 22-41-K128 | 41-K14-B22 | 127 | 32-41-K127 | 127 | 32-41-K127 | 48 | | | |
| 30-313-32 | 130 | 22-41-K130 | 30-321-31 | 129 | 32-41-K129 | 129 | 32-41-K129 | 50 | | | |
| 30-626-31 | 132 | 22-41-K132 | 30-831-11 | 131 | 32-41-K131 | 131 | 32-41-K131 | 52 | | | |
| 30-626-21 | 134 | 22-41-K134 | 30-831-21 | 133 | 32-41-K133 | 133 | 32-41-K133 | 54 | | | |
| 30-613-32 | 136 | 22-41-K136 | 30-831-23 | 135 | 32-41-K135 | 135 | 32-41-K135 | 56 | | | |
| 30-525-31 | 138 | 22-41-K138 | 30-832-21 | 137 | 32-41-K137 | 137 | 32-41-K137 | 58 | K16-40 | 20-41-K128 | |
| 30-525-51 | 140 | 22-41-K140 | 30-832-11 | 139 | 32-41-K139 | 139 | 32-41-K139 | 60 | 30-311-61 | 20-41-K60 | 30-626-22 |
| УСМ | 142 | 22-41-K142 | 30-832-23 | 141 | 32-41-K141 | 141 | 32-41-K141 | 62 | 30-311-62 | 20-41-K62 | 30-626-32 |
| 30-315-33 | 144 | 22-41-K144 | 30-831-61 | 143 | 32-41-K143 | 143 | 32-41-K143 | 64 | 30-214-52 | 20-41-K64 | 30-313-31 |
| 30-315-41 | 146 | 22-41-K146 | 30-831-31 | 145 | 32-41-K145 | 145 | 32-41-K145 | 66 | 30-626-2 | 20-41-K66 | 30-311-31 |
| 30-313-42 | 148 | 22-41-K148 | 30-832-31 | 147 | 32-41-K147 | 147 | 32-41-K147 | 68 | 30-321-41 | 20-41-K68 | 30-626-62 |
| 30-313-41 | 150 | 22-41-K150 | 30-832-71 | 149 | 32-41-K149 | 149 | 32-41-K149 | 70 | 30-826-32 | 20-41-K70 | 30-626-72 |
| | | | | | | | | 72 | 30-311-32 | 20-41-K72 | 30-626-12 |
| | | | | | | | | 74 | 30-611-32 | 20-41-K74 | 30-626-82 |
| | | | | | | | | 76 | 30-626-61 | 20-41-K76 | 30-323-43 |
| | | | | | | | | 78 | 30-626-71 | 20-41-K78 | 215-11 |
| | | | | | | | | 80 | 30-526-51 | 20-41-K80 | 215-II1 |
| | | | | | | | | | | | 32-41-K75 |
| | | | | | | | | | | | 32-41-K77 |
| | | | | | | | | | | | 32-41-K79 |

* - монтировать проводом 2,5 мм.кв.

** - монтировать проводом 6 мм.кв.

*** - монтировать проводом 1,5 мм.кв.

| | | | | | | | | |
|------------|-----|-----------|-----------|-----|------------|------------|----|------------|
| 30-636-71 | 82 | 32-41-K71 | K16-25 | 81 | 11A-61-K47 | K16-34 | 1 | 11A-71-K29 |
| 41-K14-d18 | 84 | 32-41-K69 | K15-15 | 83 | 11A-61-K9 | K15-33 | 3 | 11A-71-K30 |
| 30-635-71 | 86 | 32-41-K67 | K15-19 | 85 | 11A-71-K11 | K15-36 | 5 | 11A-61-K31 |
| K16-33 | 88 | 32-41-K65 | K16-26 | 87 | 11A-61-K60 | K15-35 | 7 | 11A-61-K32 |
| K16-34 | 90 | 32-41-K63 | K16-23 | 89 | 11A-61-K59 | K16-24 | 9 | 11A-71-K73 |
| K16-39 | 92 | 32-41-K61 | K17-23 | 91 | 11A-71-K50 | K17-29 | 11 | 11A-61-K33 |
| 30-42-1-2 | 94 | 32-41-K59 | K17-24 | 93 | 11A-71-K36 | K17-26 | 13 | 11A-71-K31 |
| 30-42OKП-2 | 96 | 32-41-K57 | K17-33 | 95 | 11A-61-K29 | K17-36 | 15 | 11A-71-K32 |
| | 98 | | K21-13 | 97 | 11A-71-K81 | K17-37 | 17 | 11A-71-K33 |
| 33-51-K17 | 100 | X8-1 | 30-214-11 | 99 | 11A-71-K80 | K16-1 | 19 | 11A-61-K13 |
| КПБ | 102 | X8-2 | K21-14 | 101 | 11A-71-K84 | K16-2 | 21 | 11A-61-K15 |
| 33-51-K19 | 104 | X12-1 | 30-311-52 | 103 | 11A-71-K83 | K16-8 | 23 | 11A-61-K17 |
| ПУКП | 106 | X12-4 | K21-15 | 105 | 11A-71-K82 | K16-3 | 25 | 11A-61-K18 |
| K21-1 | 108 | X12-7 | 30-313-62 | 107 | | K16-4 | 27 | 11A-61-K19 |
| K21-2 | 110 | X12-9 | K21-12 | 109 | | K16-5 | 29 | 11A-61-K20 |
| K21-3 | 112 | X12-11 | | 111 | 11A-71-K70 | K16-6 | 31 | 11A-61-K21 |
| K21-4 | 114 | X12-13 | | 113 | 11A-71-K71 | K16-18 | 33 | 11A-71-K61 |
| K21-7 | 116 | X12-17 | | 115 | | K15-12 | 35 | 11A-61-K22 |
| 30-42-7-2 | 118 | X12-19 | | 117 | | K15-13 | 37 | 11A-61-K23 |
| K121 | 120 | X12-14 | | 119 | | K15-14 | 39 | 11A-61-K24 |
| | 122 | X12-12 | | 121 | 11A-31-K51 | K15-4 | 41 | 11A-61-K25 |
| | 124 | X12-10 | | 123 | 11A-31-K52 | K15-5 | 43 | 11A-61-K26 |
| | 126 | X12-8 | | 125 | 11A-31-K74 | K15-23 | 45 | 11A-61-K27 |
| | 128 | X12-6 | | 127 | 11A-31-K75 | K15-26 | 47 | 11A-61-K28 |
| | 130 | X12-3 | | 129 | 11A-31-K76 | K16-12 | 49 | 11A-71-K12 |
| | 132 | | | 131 | 11A-31-K77 | K16-13 | 51 | 11A-71-K14 |
| | 134 | | | 133 | 11A-31-K78 | K16-19 | 53 | 11A-71-K16 |
| | 136 | | | 135 | 11A-31-K79 | K16-14 | 55 | 11A-71-K17 |
| | 138 | | | 137 | 11A-31-K80 | K16-15 | 57 | 11A-71-K18 |
| | 140 | | | 139 | 11A-31-K81 | K16-16 | 59 | 11A-71-K19 |
| | 142 | | | 141 | 11A-31-K82 | K16-17 | 61 | 11A-71-K20 |
| | 144 | | | 143 | 11A-31-K83 | K16-7 | 63 | 11A-61-K51 |
| | 146 | | | 145 | 11A-31-K84 | K15-16 | 65 | 11A-71-K21 |
| 511-K3-3 | 148 | | | 147 | 11A-31-K85 | K15-17 | 67 | 11A-71-K22 |
| 30-516-11 | 150 | Земля | | 149 | | K15-18 | 69 | 11A-71-K23 |
| 211-XS3-3 | | | | | | K15-1 | 71 | 11A-71-K24 |
| | | | | | | K15-2 | 73 | 11A-71-K25 |
| | | | | | | K15-24 | 75 | 11A-61-K12 |
| | | | | | | K15-25 | 77 | 11A-71-K26 |
| | | | | | | K17-34 | 79 | 11A-71-K27 |
| | | | | | | 41-K13-d18 | 80 | 32-41-K73 |
| | | | | | | 41-K13-b8 | 2 | 22-42-K1 |
| | | | | | | 41-K13-z18 | 4 | 22-42-K3 |
| | | | | | | 30-315-4 | 6 | 22-42-K5 |
| | | | | | | 30-315-1 | 8 | 22-42-K7 |
| | | | | | | 30-315-61 | 10 | 22-42-K9 |
| | | | | | | 30-316-43 | 12 | 22-42-K11 |
| | | | | | | K16-37 | 14 | 22-42-K13 |
| | | | | | | K16-38 | 16 | 22-42-K15 |
| | | | | | | K17-1 | 18 | 22-42-K17 |
| | | | | | | K17-19 | 20 | 22-42-K19 |
| | | | | | | K17-7 | 22 | 22-42-K138 |
| | | | | | | | 24 | |
| | | | | | | | 26 | |
| | | | | | | | 28 | |
| | | | | | | | 30 | |
| | | | | | | | 32 | |
| | | | | | | | 34 | |
| | | | | | | | 36 | |
| | | | | | | | 38 | |
| | | | | | | | 40 | 20-41-K110 |
| | | | | | | | 42 | 20-41-K112 |
| | | | | | | | 44 | 20-41-K114 |
| | | | | | | | 46 | 20-41-K116 |
| | | | | | | | 48 | 20-41-K118 |
| | | | | | | | 50 | 20-41-K120 |
| | | | | | | | 52 | 20-41-K122 |
| | | | | | | | 54 | 20-41-K124 |
| | | | | | | | 56 | 20-41-K126 |
| | | | | | | | 58 | |
| | | | | | | | 60 | 11A-51-K73 |
| | | | | | | | 62 | 11A-51-K48 |
| | | | | | | | 64 | 11A-51-K49 |
| | | | | | | | 66 | 11A-51-K74 |
| | | | | | | | 68 | 11A-41-K48 |
| | | | | | | | 70 | 11A-41-K49 |
| | | | | | | | 72 | 11A-41-K73 |
| | | | | | | | 74 | 11A-41-K74 |
| | | | | | | | 76 | |
| | | | | | | | 78 | |
| | | | | | | | 80 | 32-41-K73 |

к УЭПС - кабель 10х2

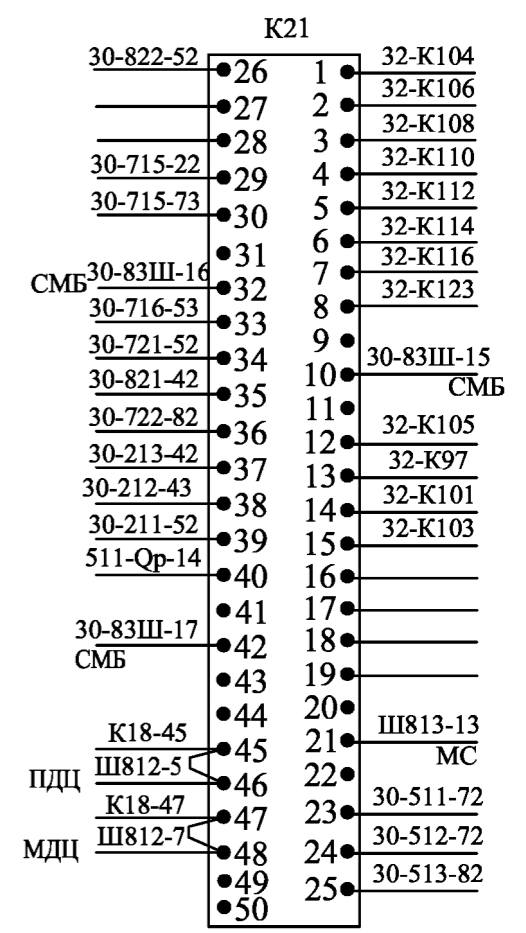
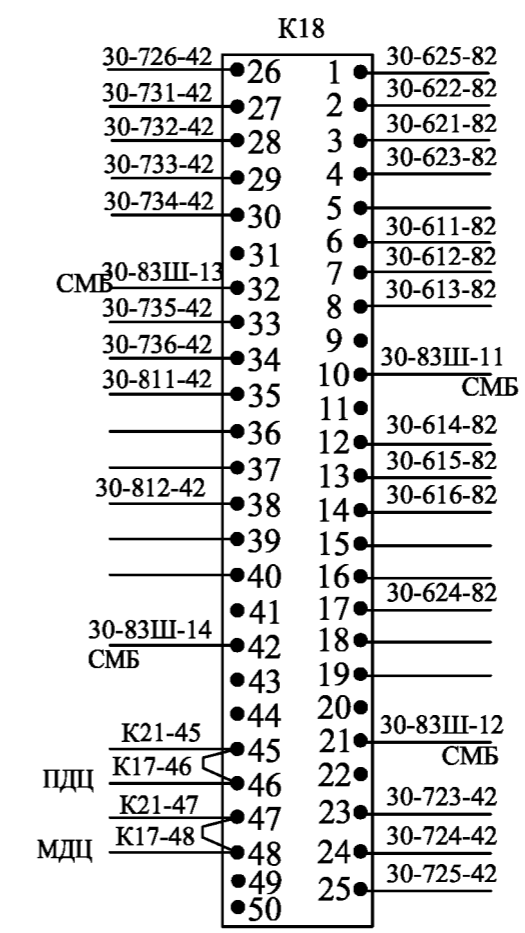
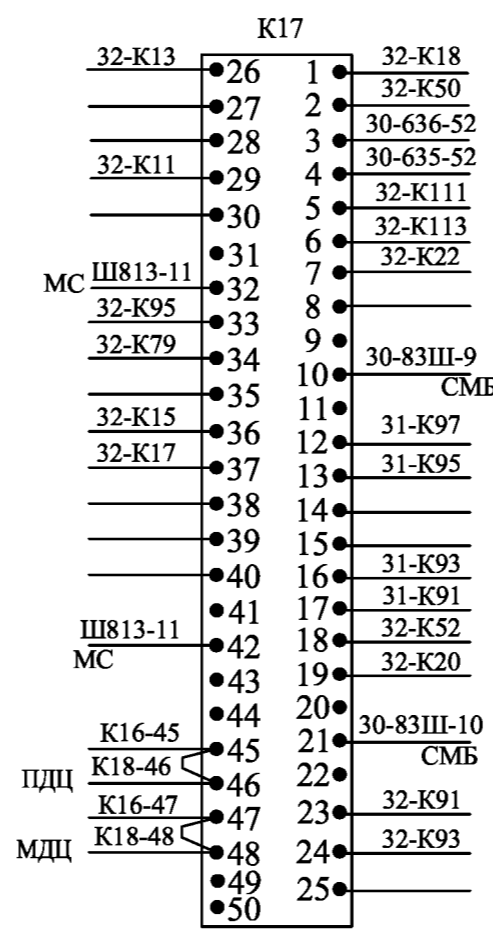
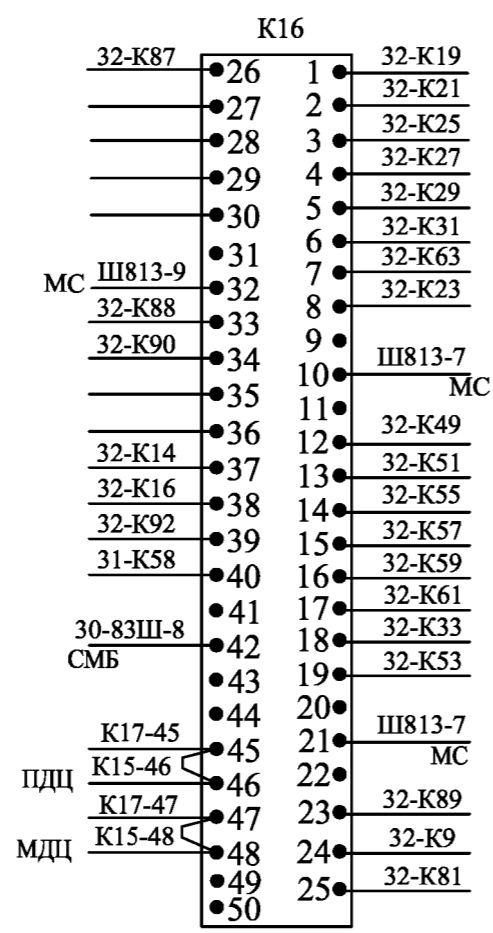
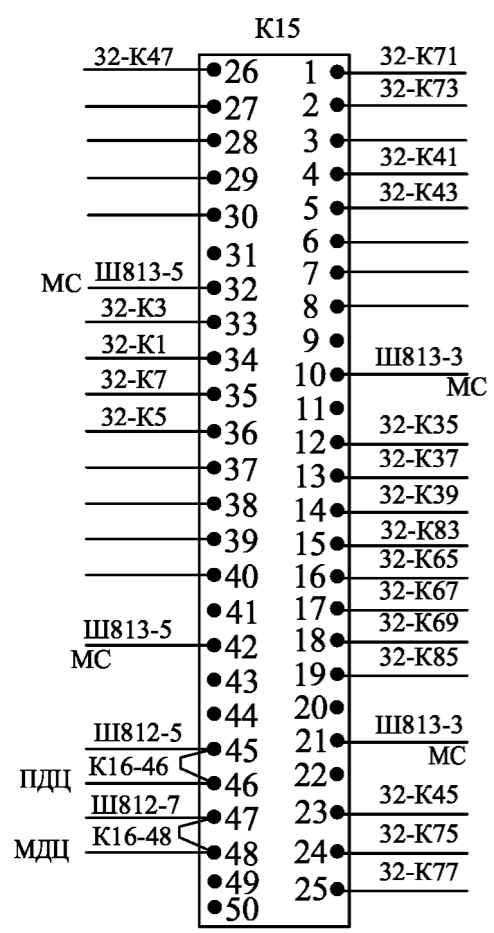
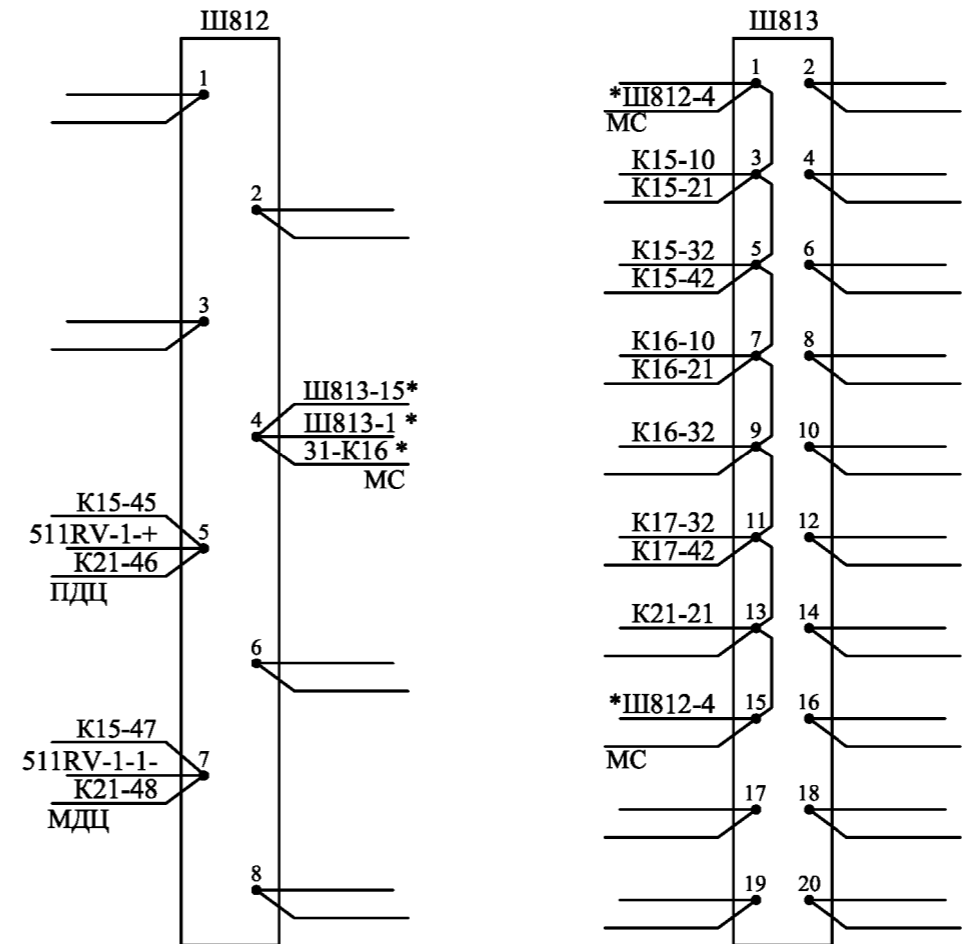
- * - монтировать проводом 2,5 мм.кв.
- ** - монтировать проводом 6 мм.кв.
- *** - монтировать проводом 1,5 мм.кв.

| K14 | | | | K13 | | | | K12 | | | | K11 | | | | | | | | | | | | |
|----------|-----------------|----------|----|-----------|----|-----------|--|----------|---------------|----------|----|-----------|--|----------|---------------|----------|----|-----------|--|----------|---------------|----------|----|-----------|
| Кл. d | | Кл. b | | Кл. z | | Кл. d | | Кл. b | | Кл. z | | Кл. d | | Кл. b | | Кл. z | | Кл. d | | Кл. b | | Кл. z | | |
| 2 | 30-635-72 | 4 | 2 | | 2 | 30-512-12 | | 2 | 30-636-72 | 4 | 2 | 30-833-2 | | 2 | 30-822-4 | | 2 | 30-722-23 | | 2 | | | 2 | 30-212-12 |
| 4 | 2 | | 4 | | 4 | 30-511-12 | | 4 | 2 | | 4 | 31-K114 | | 4 | 30-823-2 | | 4 | | | 4 | | | 4 | |
| 6 | 30-635-71 | 8 | 6 | | 6 | 30-832-2 | | 6 | 30-636-71 | 8 | 6 | 30-834-2 | | 6 | 30-831-2 | | 6 | 30-714-62 | | 6 | 30-812-4 | | 6 | 30-212-52 |
| 8 | 6 | 10 | 8 | | 8 | 30-513-42 | | 8 | 6 | 10 | 8 | 32-K2 | | 8 | 30-324-4 | | 8 | | | 8 | | | 8 | 30-723-4 |
| 10 | 8 | 12 | 10 | | 10 | | | 10 | 8 | 12 | 10 | 30-835-2 | | 10 | 30-325-2 | | 10 | | | 10 | | | 10 | 30-724-4 |
| 12 | 10 | 14 | 12 | 30-311-4 | 12 | | | 12 | 10 | 14 | 12 | 30-313-4 | | 12 | | | 12 | | | 12 | | | 12 | 30-725-4 |
| 14 | 12 | 16 | 14 | 30-312-2 | 14 | | | 14 | 12 | 16 | 14 | 30-314-2 | | 14 | | | 14 | | | 14 | | | 14 | 30-726-4 |
| 16 | 14 | | 16 | | 16 | | | 16 | 14 | | 16 | 30-715-83 | | 16 | | | 16 | | | 16 | | | 16 | 30-731-4 |
| 18 | 32-K84 | | 18 | 30-635-12 | 18 | 32-K40 | | 18 | 32-K80 | | 18 | 30-636-12 | | 18 | 32-K4 | | 18 | | | 18 | | | 18 | 30-732-4 |
| X | | | 20 | 30-635-22 | 20 | 30-322-2 | | X | | | 20 | 30-636-22 | | X | | | 20 | | | X | | | 20 | 30-733-4 |
| 22 | | | 22 | 31-K127 | 22 | 31-K89 | | 22 | | | 22 | 31-K123 | | 22 | 30-826-4 | | 22 | | | 22 | | | 22 | 30-734-4 |
| X | | | 24 | 31-K125 | 24 | 30-323-2 | | X | | | 24 | 31-K121 | | X | | | 24 | | | X | | | 24 | 30-735-4 |
| 26 | 30-42-5-2 28 | ПДУ | 26 | 30-825-2 | 26 | | | 26 | K12-d26 28 | ПДУ | 26 | 30-824-2 | | 26 | K13-d26 28 | ПДУ | 26 | | | 26 | 28 | ПДУ | 26 | 30-722-32 |
| 28 | K13-d28 26 | ПДУ | 28 | | 28 | | | 28 | K14-d28 26 | ПДУ | 28 | | | 28 | K11-d28 26 | ПДУ | 28 | | | 28 | 26 K12-d28 | ПДУ | 28 | 30-736-4 |
| 30 | 30-42-9-2 32 | МДУ | 30 | | 30 | | | 30 | K12-d30 32 | МДУ | 30 | | | 30 | K13-d30 32 | МДУ | 30 | | | 30 | 32 | МДУ | 30 | 30-811-4 |
| 32 | K13-d32 30 | МДУ | 32 | | 32 | | | 32 | K14-d32 30 | МДУ | 32 | | | 32 | K13-d32 30 | МДУ | 32 | | | 32 | K12-d32 30 | МДУ | 32 | 30-722-42 |

| 511 | | | | | |
|-------------|---------|-----------------------------|-------|-----|----------|
| Конструктив | Контакт | Адрес | | ХР4 | |
| K1 | L | 30-42-8-2 | ПХ | 1 | ЛПД-К2-1 |
| K2 | T | 30-42-12-2 | ОХ | 2 | ЛПД-К2-2 |
| RV-1 | 1+ | Ш812-5 | ПДЦ | 3 | ЛПД-К2-3 |
| RV-1 | 1- | Ш812-7 | МДЦ | 4 | ЛПД-К2-4 |
| K4 | 1 | 30-42-5-2* | ПДУ | | |
| K3 | Земля | 32-K146 (6мм ²) | Земля | | |
| K5 | 3 | 30-42-9-2* | МДУ | | |
| QP | 14 | K21-40 | | | |

КМС- 2x2x0,4

* - Монтировать проводом 2,5 мм²
 ** - Монтировать проводом 1,5 мм²



* - монтировать проводом 2,5 кв. мм.
 ** - монтировать проводом 6 кв. мм.

Вид с лицевой стороны

Блок БМ(место511) и верхние клеммные панели
 Статив №31

Лист

6